

Wind Speed Sensor Vwind-Si for Si-RS485TC-2T-v-MB



Safety Instructions

The installation and assembly of electrical equipment must be carried out by electrically qualified persons. The sensor may not be used with equipment whose direct or indirect purpose is to prevent death or injury, or whose operation poses a risk to humans, animals or property.

Warranty and Liability

The sensor is designed for the measurement of wind speed. The warranty is for 1 year from the date of the invoice for the intended use. IMT Technology does not accept any liability for possible losses or damage due to the incorrect usage of the sensor. Liability for consequential damages is excluded.

Mounting Instructions

Storing, mounting and operation under weather conditions is only allowed in vertical position, as otherwise water can get into the sensor. An installation with roof inclination is not allowed.

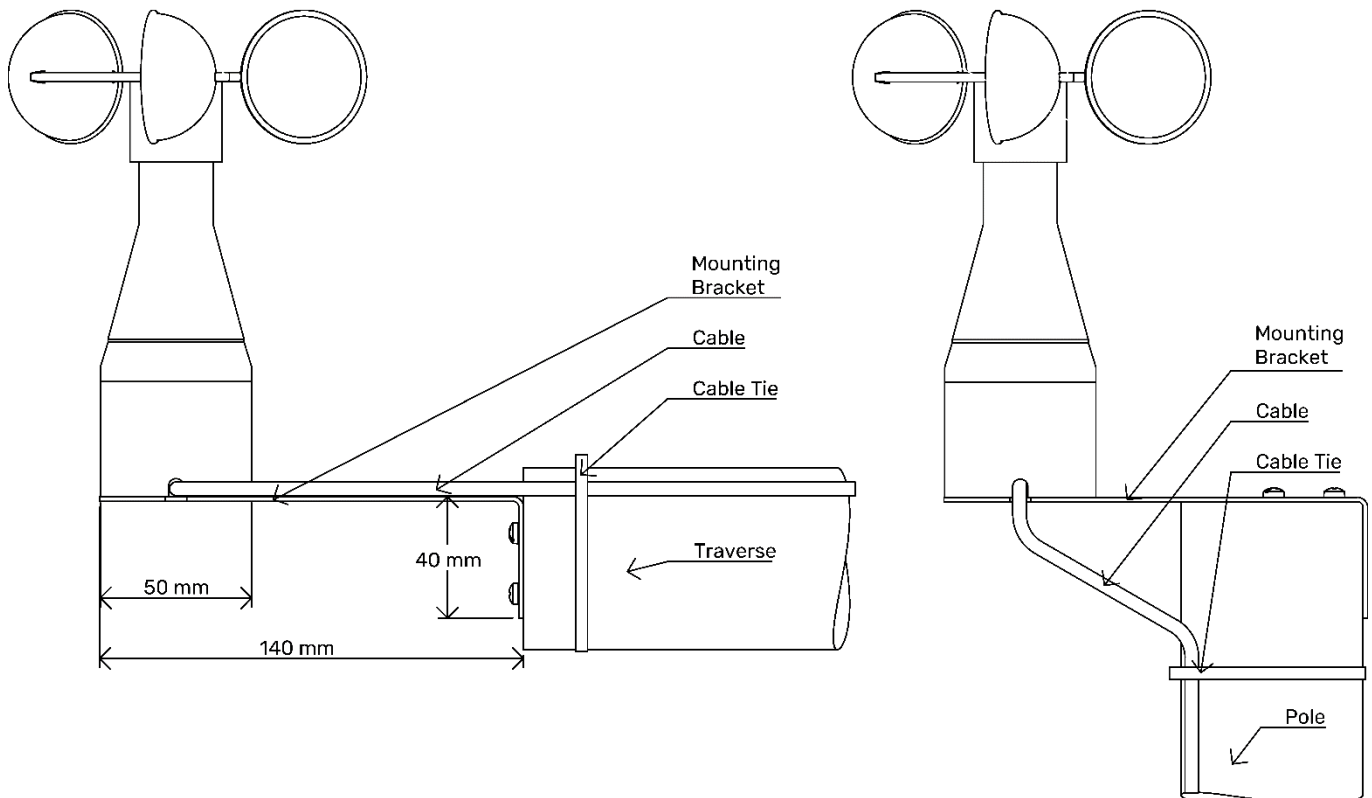
No installation in wind protected areas or in wind shadow of any construction.

On flat roofs an installation in the middle of the roof is preferable.

The wind sensor must be integrated into the lightning protection system.

The sensor cable must be fixed at the mounting construction.

The screws for fastening the sensor at the mounting angle are tightened with a maximum of 1.5 Nm.



Electrical Connection

This sensor is designed for connecting to the Si-sensor type Si-RS485TC-2T-v-MB. For connecting, remove the protection cap of the 2-pole socket of the Si-RS485TC-2T-v-MB and connect the Vwind-Si. To lock the cable connector, the threaded ring is tightened until it is 'finger-tight' (approx. 50 Ncm).

Maintenance

Scope of the regularly check (at least once a year): Cleaning, external damage, mechanical fastening, cable laying and any damage to the cable. Should damage be found that degrades the function or safety, the sensor is to be replaced.

Heavy air pollution can clog up the slit between the rotating and the stationary part of the wind sensor. This slit must be kept clean.

After longer use abrasion might occur at the bearings and the reed relays. This can cause a higher starting torque or missing output impulses. Therefore we recommend a yearly maintenance and checking of the rotating ability of the cup star.

Technical Data

Sensor type	Cup star anemometer
Signal	Reed relay, 2.5 Hz/(m/s)
Measurement range	0.9 to 40 m/s (60 m/s for short time)
Measurement uncertainty	0.5 m/s or 5% of value
Pin assignment	Pin 1: Reed relay Pin 2: Reed relay
Connector	Binder, Series 712
Weight	350 g
Size (without holder)	Ø 134 x 160 mm
Degree of protection	IP 54
Operating condition	-25 to +60°C (without icing)
Sensor cable	Length: 5 m, PUR coated, shielded (LiYC11Y, 2 x 0.25 mm ²)

Scope of Delivery

- Sensor incl. cable with connector plug
- Mounting bracket
- Instruction sheet

Intelligent Measurement & Testing