

# Ta-Pt100 and Ta-Pt1000

Ambient Temperature Sensor with Platinum Resistance



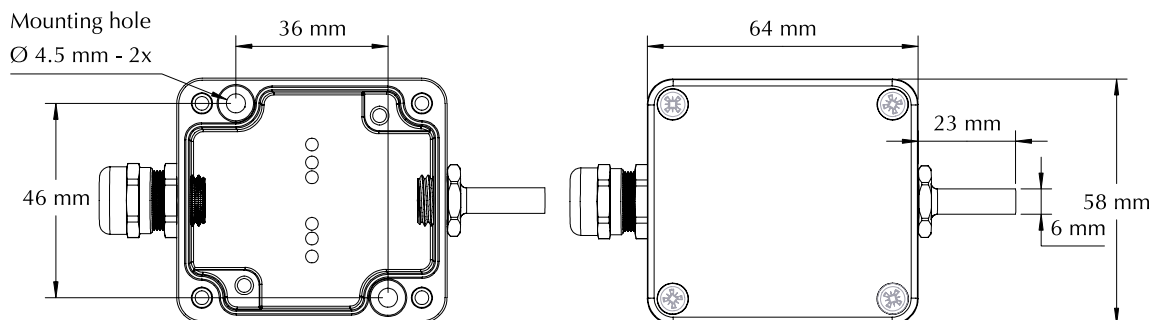
## Short Description

Our ambient temperature sensors come equipped with a stable Aluminium housing and a robust weatherproof cable. Thanks to the use of top quality components the sensors achieve very high accuracy and are ideal for use in industrial and field (PV module temperature) environments.

## Technical Data

Type	Ta-Pt100	Ta-Pt1000
Sensor Element	Pt100 Class A as per EN 60751	Pt1000 Class A as per EN 60751
Sensor Housing	Stainless Steel Jacket, Diameter 6 mm, Length 23 mm	
Case Material	Powder-Coated Aluminium	
Case Dimension / Protection Level	64 mm x 58 mm x 34 mm / IP 67	
Weight	Approx. 260 g	
Operating Condition	-40 to +80 °C	
Connection Cable	Length: 3 m, PUR coated, shielded (LiYC11Y, 4 x 0.14 mm <sup>2</sup> )	
Customs Tariff Number / HS Code	90 25 19 00	

## Drawing



## Ta-Pt100 and Ta-Pt1000

### Ambient Temperature Sensor with Platinum Resistance

#### Safety Instructions

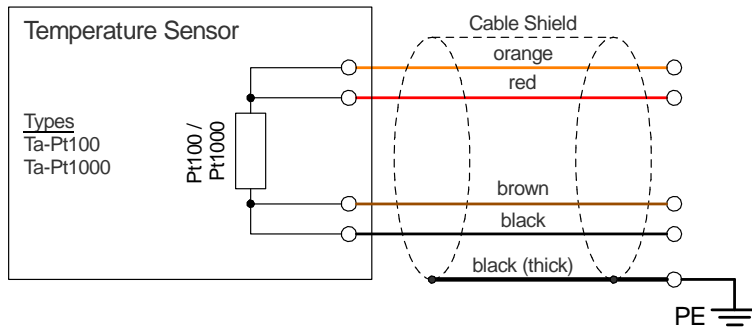
The installation and assembly of electrical equipment must be carried out by electrically qualified persons.

The sensor may not be used with equipment whose direct or indirect purpose is to prevent human death or injury, or whose operation poses a risk to humans, animals or property.

#### Electrical Connection

The sensors are designed for safety extra-low voltage (SELV) operation.

The cable shield shall be connected to the PE during installation.



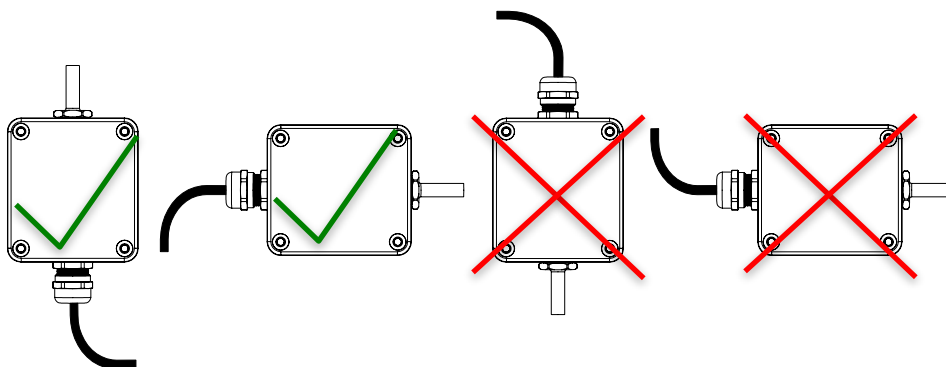
#### Maximum Cable Length of Temperature Sensors

Sensor Type	Cable Cross Section						
	0.14 mm <sup>2</sup>	0.25 mm <sup>2</sup>	0.34 mm <sup>2</sup>	0.5 mm <sup>2</sup>	0.75 mm <sup>2</sup>	1.0 mm <sup>2</sup>	1.5 mm <sup>2</sup>
Ta-Pt100, 2-Wire	2-wire Measurement not allowed						
Ta-Pt100, 4-Wire	20 m	20 m	20 m	20 m	20 m	20 m	20 m
Ta-Pt1000, 2-Wire	5 m	10 m	10 m	15 m	20 m	20 m	20 m
Ta-Pt1000, 4-Wire	20 m	20 m	20 m	20 m	20 m	20 m	20 m

#### Installation Instructions

If mounted outdoors, avoid direct exposure to sun light and rain (if necessary, provide protection from the sun and rain).

The through holes used to fix the sensor to a stable and suitable surface shall be accessible when the housing is opened. The tightening torque of the case cover is 180 Ncm.



#### Maintenance

Scope of the regularly check (at least every 2 years): Cleaning, external damage, mechanical fastening, cable laying and any damage to the cable.

Should damage be found that degrades the function or safety, the sensor is to be replaced.

#### User information

The sensor is designed for the measurement of air temperature. The warranty is for 1 year from the date of the invoice for the intended use. M&T does not accept any liability for possible losses or damage due to the incorrect usage of the sensor. Liability for consequential damages is excluded.