

## Weather and Radiation Protection Shield-Tamb-Si

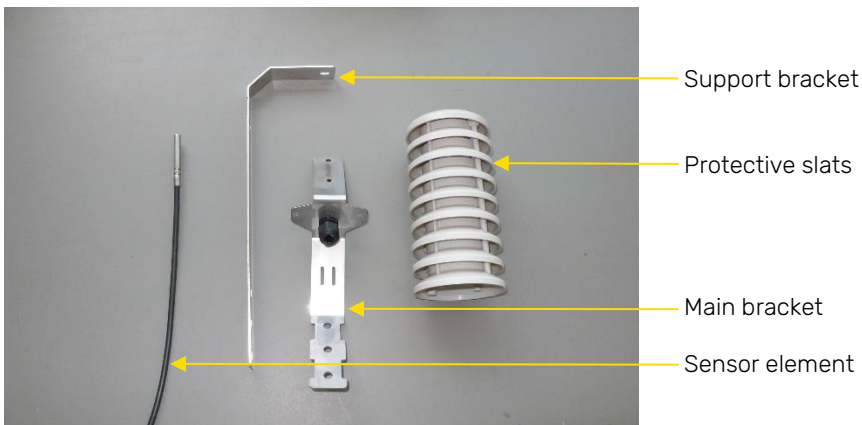
### Maintenance

Scope of the regularly check (at least once a year): Cleaning, external damage, mechanical fastening.  
Should damage be found that degrades the function or safety, the sensor is to be replaced.

### Technical Data

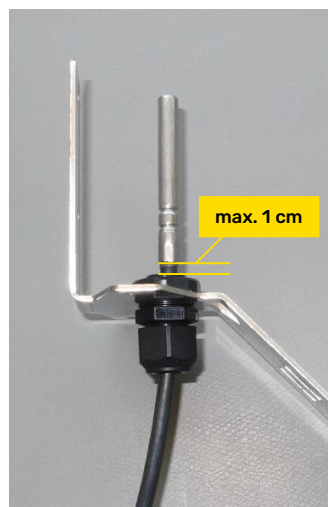
Material protective slats	Plastic
Material holder	INOX
Size protective slats	150 mm x 71 mm
Size over all	272 mm x 109 mm x 71 mm
Weight	270 g

### Mounting Instructions



1. Remove the plastic holder of Sensor element.

**CAUTION:** Do not damage the cable jacket!

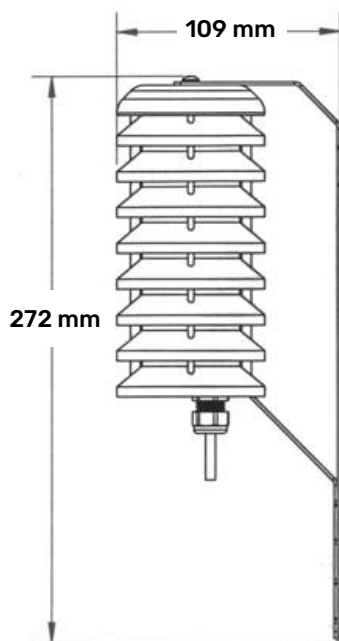


2. Install the cable gland to the main bracket.
3. Install the Tamb-Si into the cable gland. The sensor tube should extend less than 1 cm out of the cable gland.



4. Install the main bracket and support bracket to the protective slats.
5. Refer also to the APRS6547 assembly sheet.

### Dimensions



### Scope of Delivery

- Main bracket, support bracket, protective slats, cable gland, screws (1 set) for installation of brackets to the protective slats
- Installation sheet
- APRS6547 assembly sheet

### Intelligent Measurement & Testing